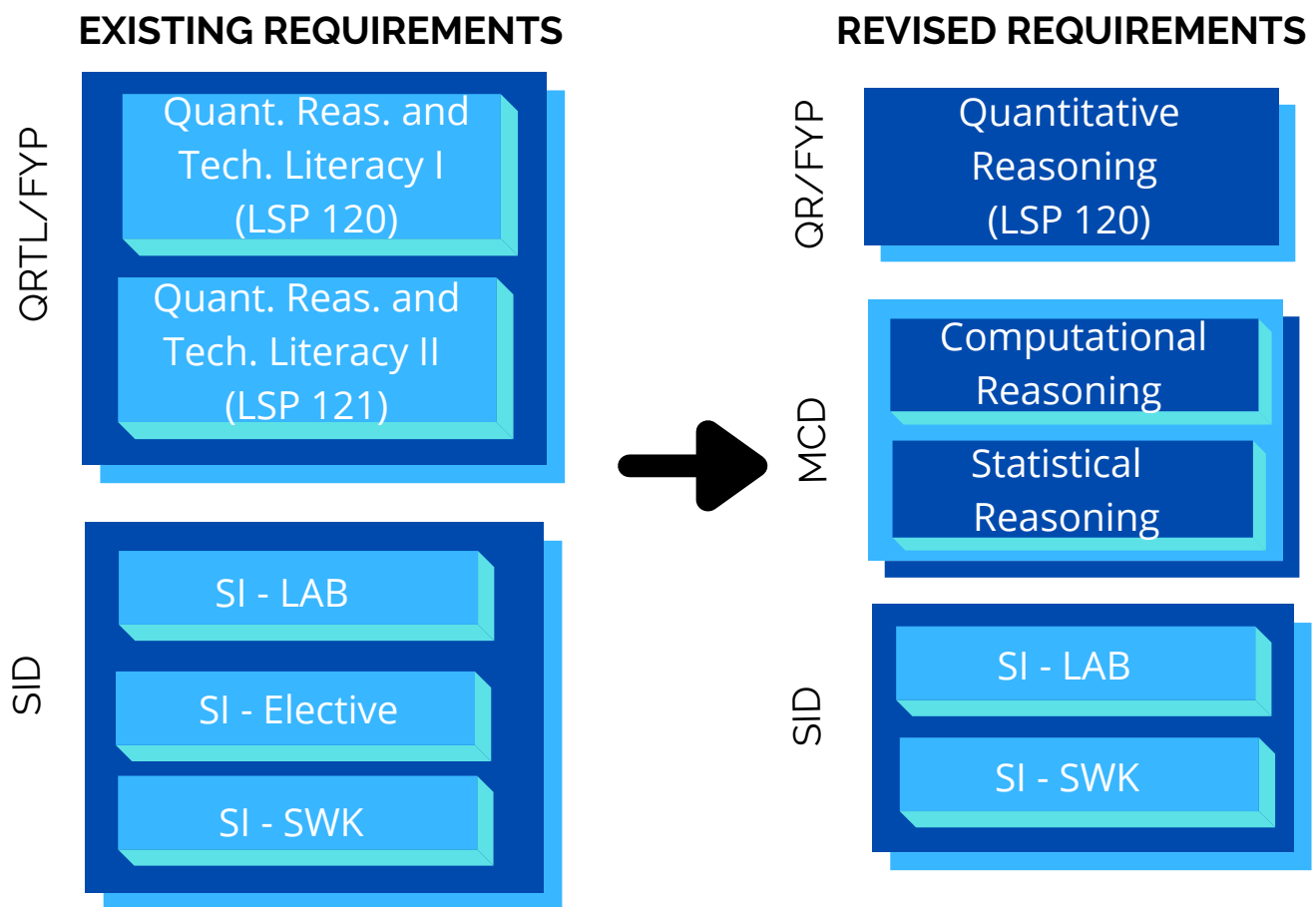


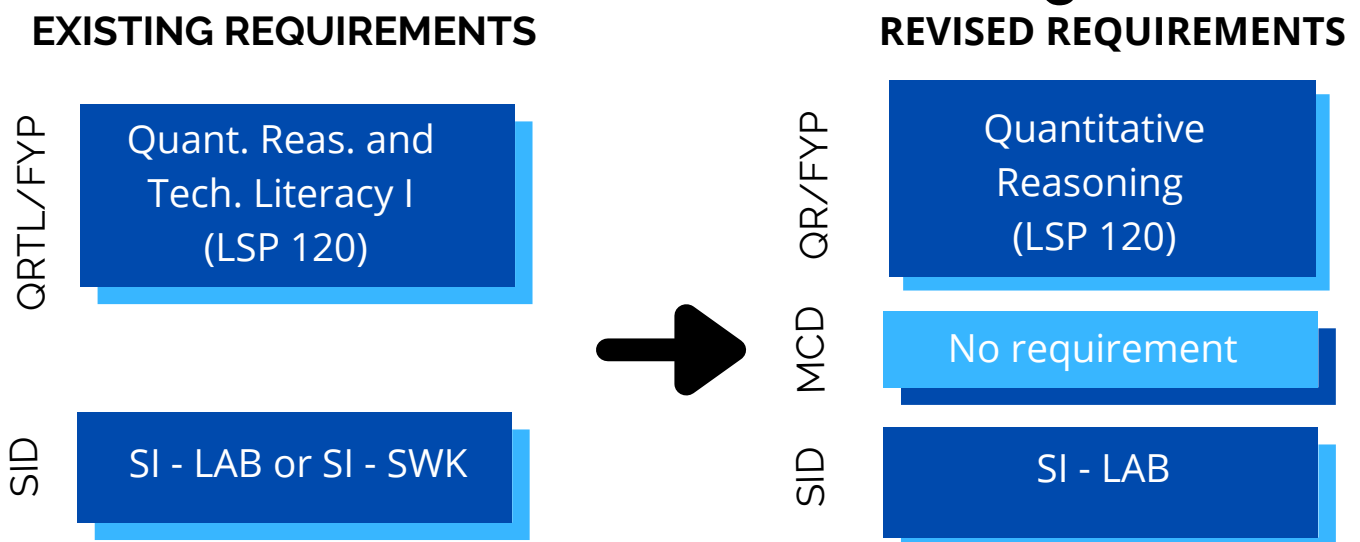
Math, Computing, and Science Changes

# COLLEGE OF LAS

**ALL BA Programs (except BFA in Art Media and Design; BA's in Criminology, Economics, Geography, Public Policy, and Sociology):**

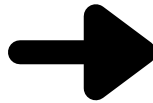
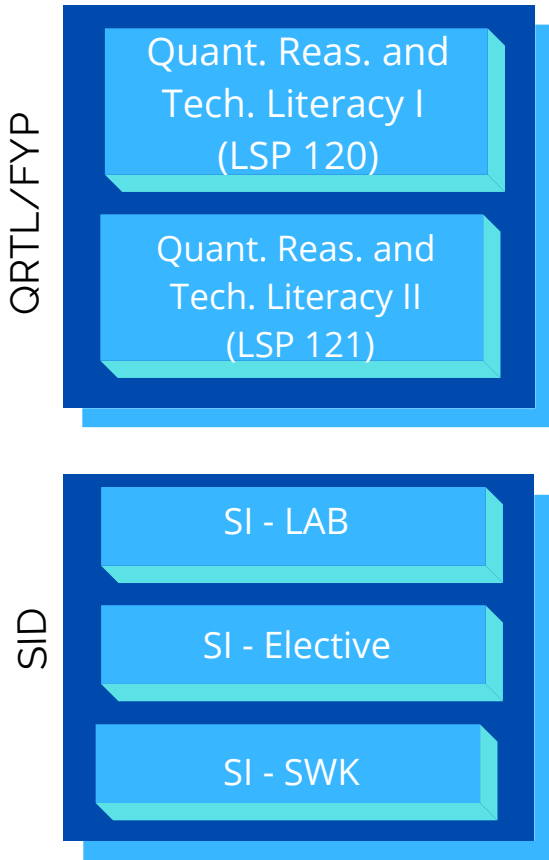


## BFA in Art Media and Design:

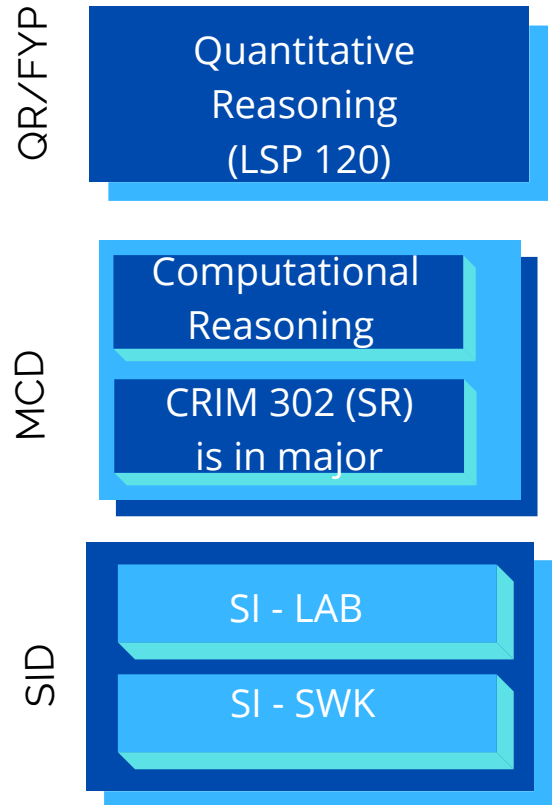


# BA in Criminology:

## EXISTING REQUIREMENTS

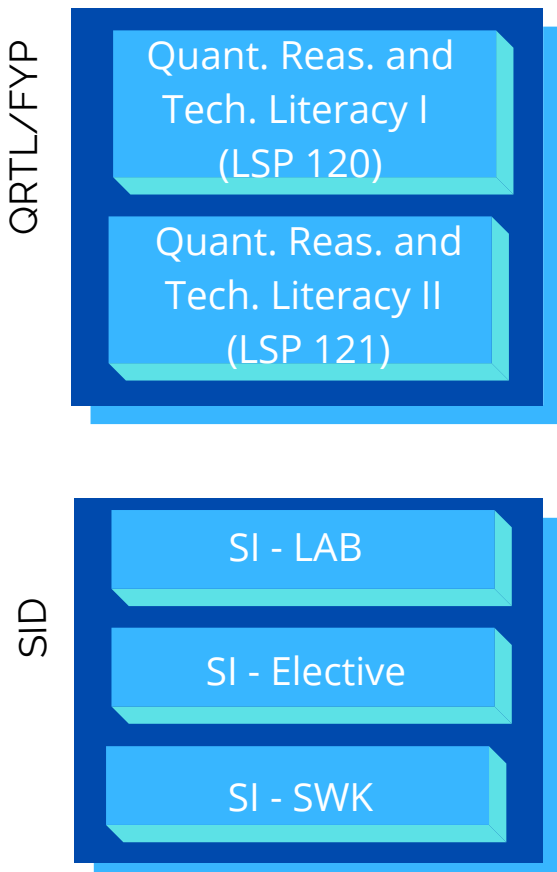


## REVISED REQUIREMENTS

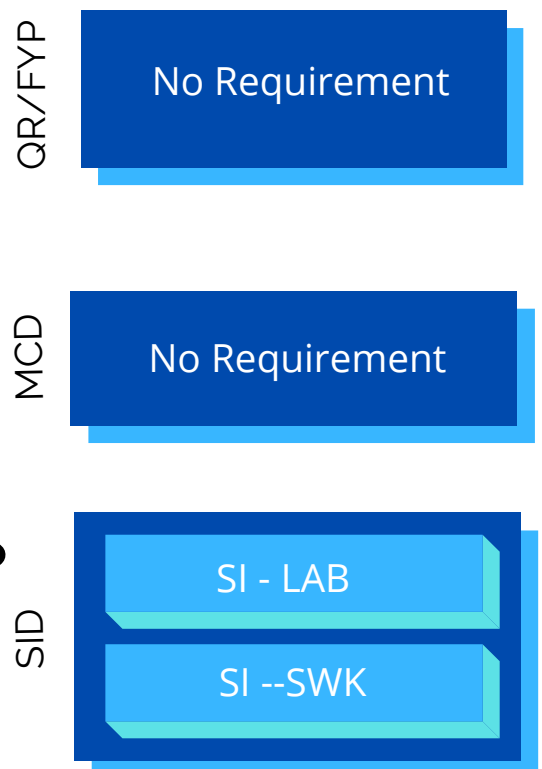


# BA in Economics:

## EXISTING REQUIREMENTS

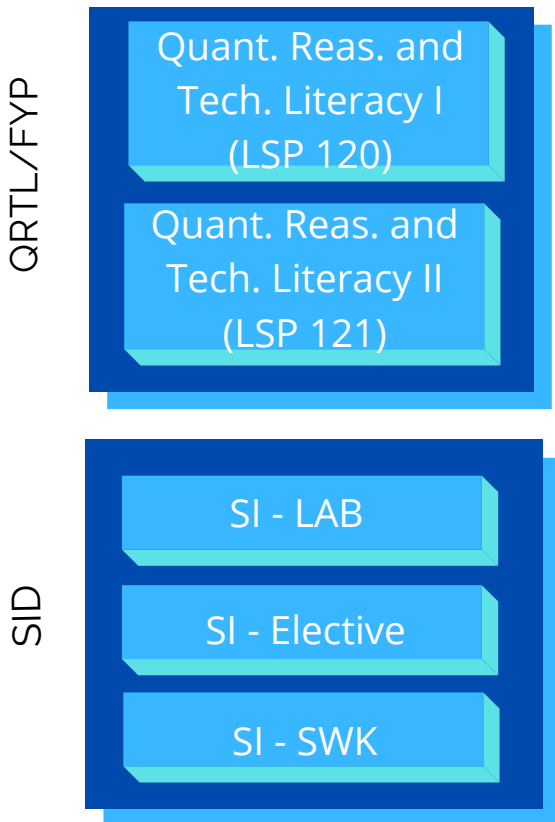


## REVISED REQUIREMENTS

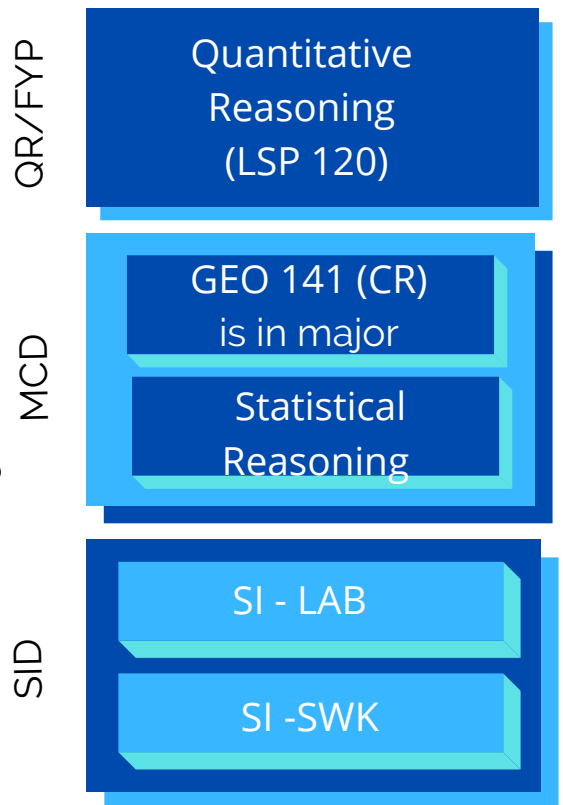


# BA in Geography:

## EXISTING REQUIREMENTS

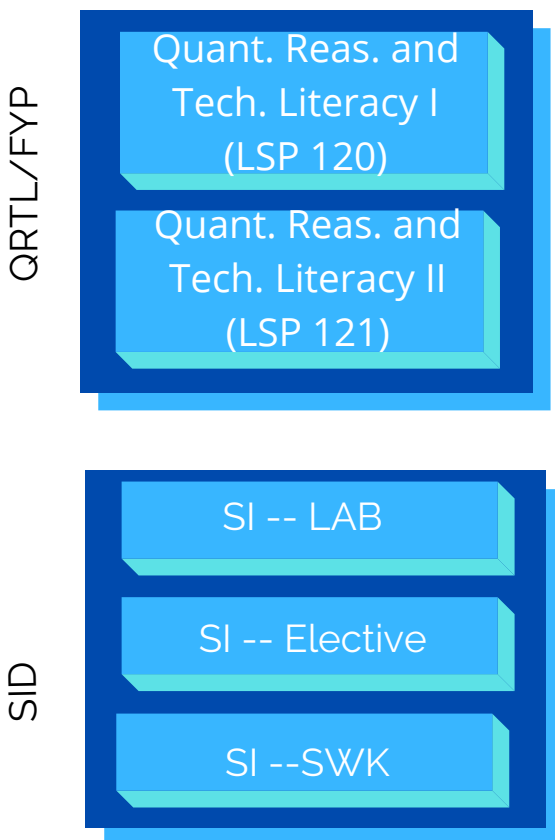


## REVISED REQUIREMENTS

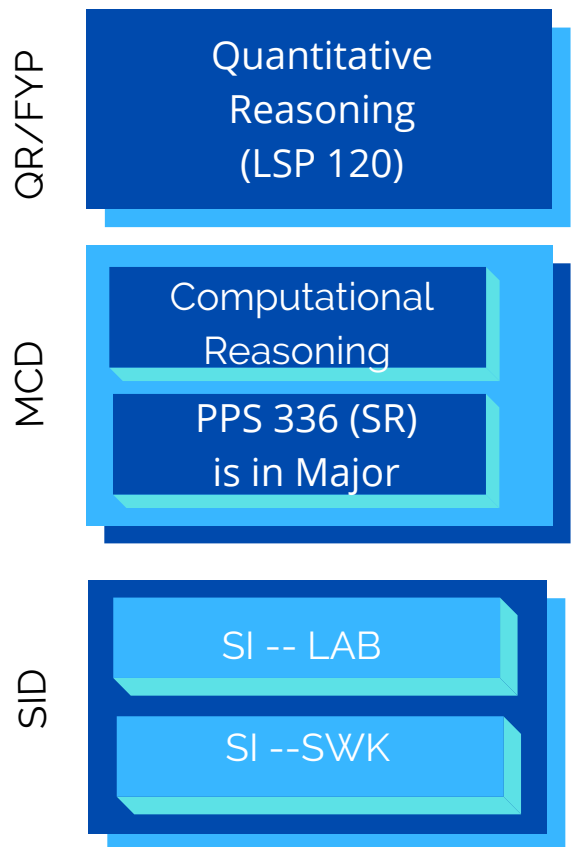


# BA in Public Policy:

## EXISTING REQUIREMENTS

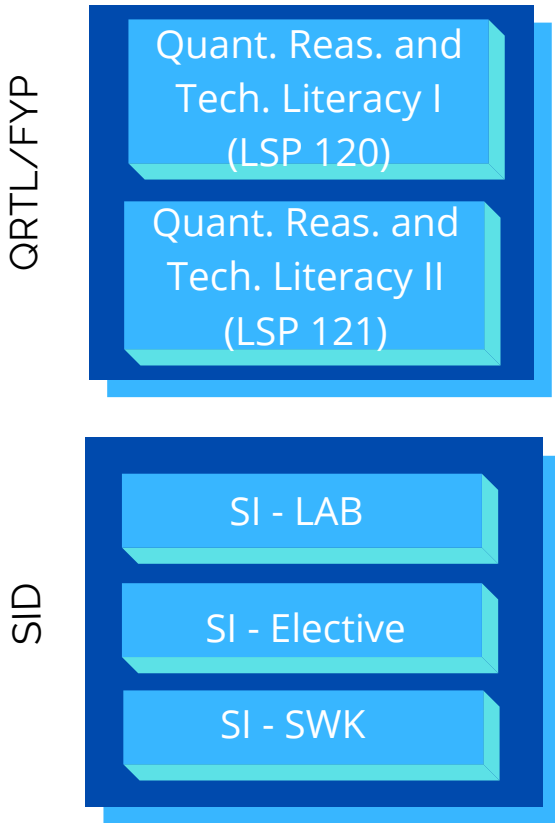


## REVISED REQUIREMENTS



# BA in Sociology:

## EXISTING REQUIREMENTS



## REVISED REQUIREMENTS

